

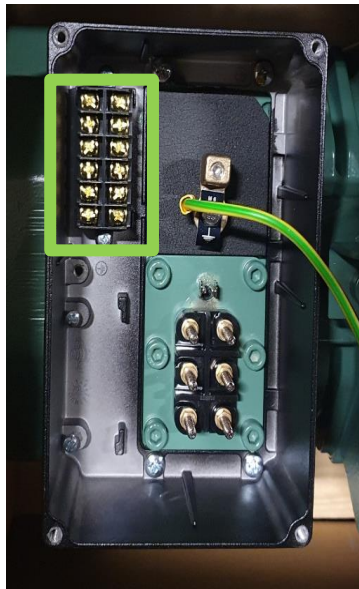
SALES INFORMATION

03-2021 // 2021-March-16

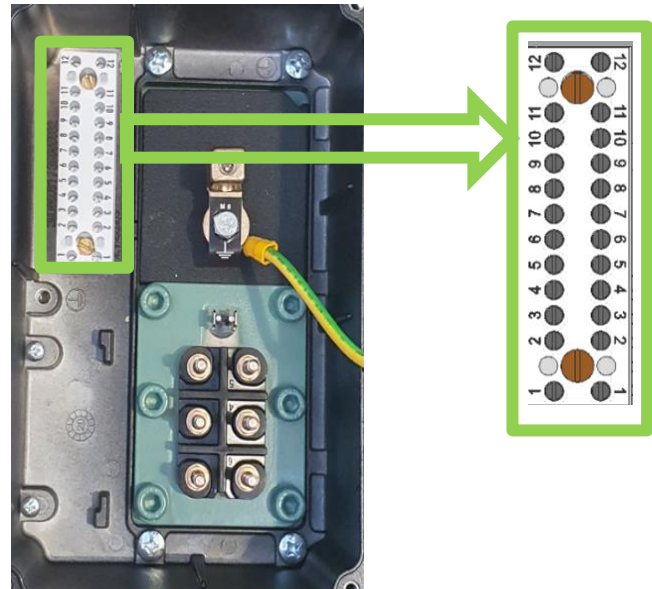
CHANGE OF CONNECTION TERMINALS IN THE TERMINAL BOX FOR RECIPROCATING COMPRESSORS C3 FAMILY

GENERAL

The connection terminal in the terminal box for reciprocating compressor family C3 (CE3/CE3HT/CH3/CKHE3/CME1~CME3), will be changed, as shown in pictures 1 and 2 below.



Picture 1: terminal box/terminal connections before the change



Picture 2: terminal box/terminal connections after the change



SALES INFORMATION

03-2021 // 2021-March-16

AFFECTED PRODUCTS

The following series and models are affected by this change:

Series	Compressor models
CE3	4FE(S)...4BE(S)
CE3HT	4FESH...4CESH
CKHE3	4PTE...4KTE
CH3	4FSL...4CSL
CME1...CME3	2MME...4DME

The new connection terminal is UL approved. The existing UL approved products stay valid and will not be affected by this change.

// In case of sales-related questions please contact:

BITZER GmbH

Dietrich-Keller Straße 24
8074 Raaba – Grambach
Tel.: 0043 316 58 26 67 0
technik@bitzer.at